

GreenAlert Series



APPLICATIONS

- Broad range of applications where visual alarm capabilities are required.
- Add visual alarm feature to existing devices to meet the visual alarm requirements of LEED® Outside Air Delivery Credit (EQC1)
- Apply as visual event notification when alarm set points are exceeded.

SYSTEM FEATURES

- Simple LED visual alarm compatible with a wide range of device alarm outputs.
- Reliable solid state LED indicator
- Durable UL94-5VA enclosure, with integral mounting flanges and connectors for simple field installation

GA-50 OVERVIEW

GreenTrol introduces the GreenAlert series of Alarm interface devices. Model GA-50 is a high quality, economical visual alarm/alert solution designed for installation in applications where a visual alarm is necessary. The GA-50 includes a red LED alarm indicator housed in a durable UL94-5VA enclosure. Model GA-50 alarm display unit is a visual alert/alarm accessory for devices not equipped with this feature. The GA-50 is ideal for retrofitting existing control system alarm applications requiring visual alarm capability outside of a Building Automation System (BAS), or for LEED designs to meet the Outside Air Delivery Credit (EQC1) alarm requirements.

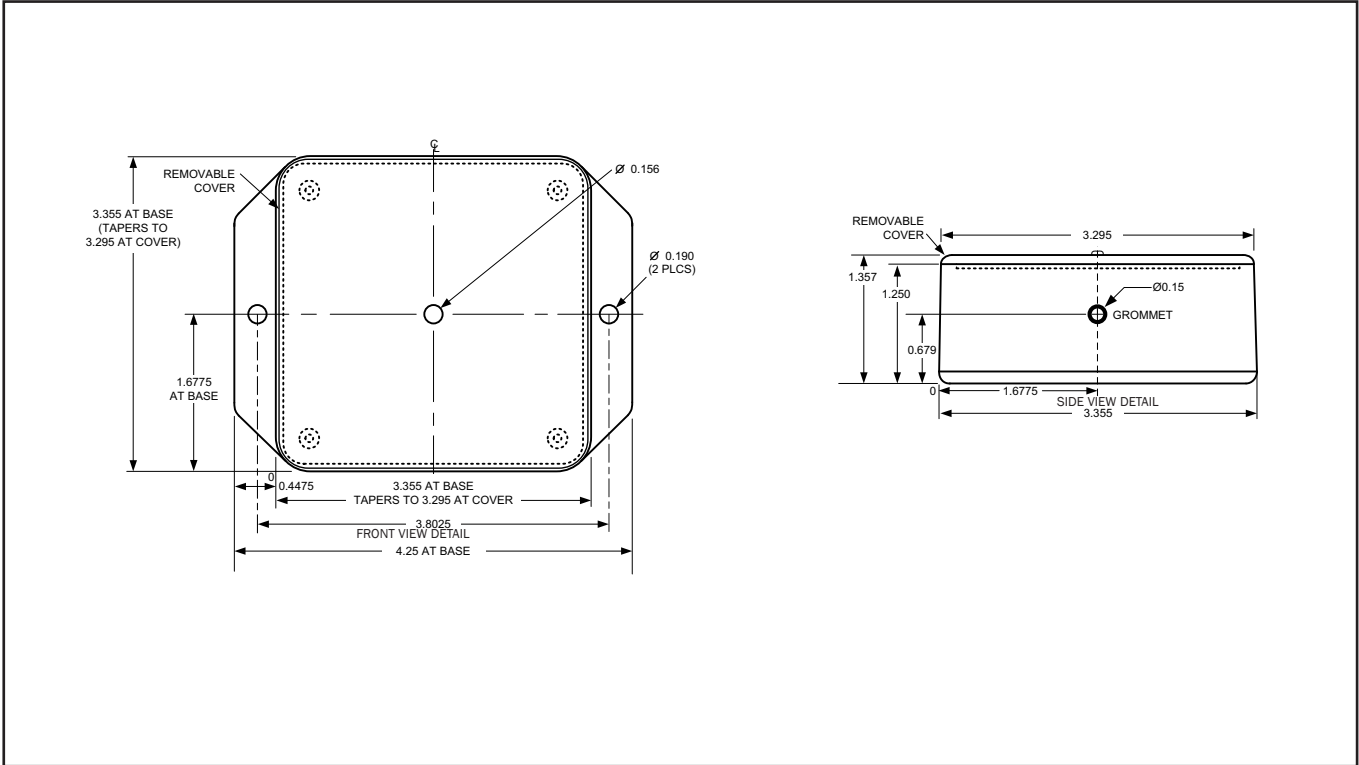
GA-50 SPECIFICATIONS

GENERAL

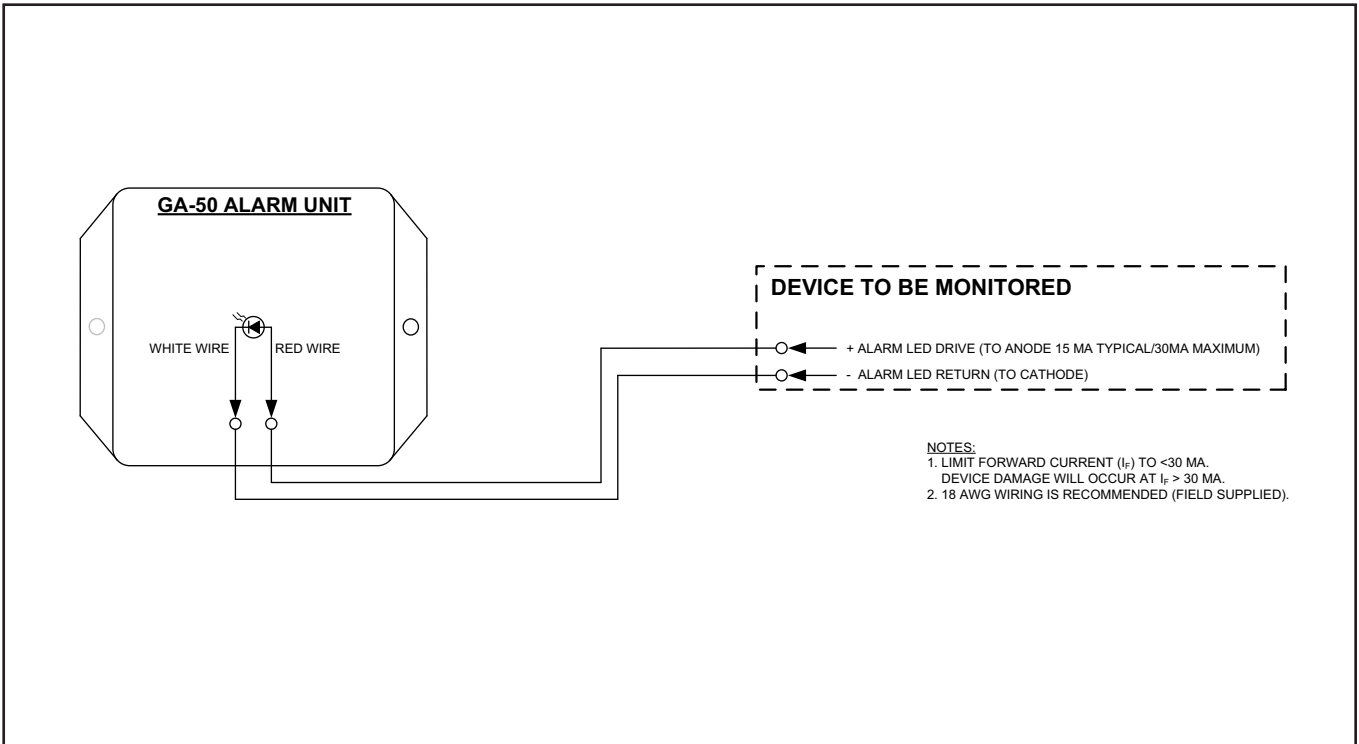
Visual Alarm Device Type:	Solid state light emitting diode, red, 30 mcd
Forward Current:	Continuous: 20 mA nominal; 35 mA maximum; Peak 1.0A @ 1 ms-330 pps
Forward Voltage:	2.0 V nominal; 3.0 V maximum
Reverse Breakdown Voltage:	5.0 V minimum
Wiring Interface:	Wiring devices included
Enclosure Material:	Durable electronic housing with removable cover
Enclosure Rating:	UL94-5VA
Enclosure Dimensions:	3.355 x 3.355 x 1.357 in (HxWxD) [85.22 x 85.22 x 34.47 mm], with two integral 0.4475 [11.37 mm] mounting flanges. Overall width with flanges 4.25 [107.95 mm]
Mounting:	Two 0.190 in [4.83 mm] diameter mounting holes on flanges
Standard Warranty:	12 months

TS_GA-50_R1B

GA-50 MECHANICAL DETAIL



GA-50 TYPICAL WIRING DIAGRAM



TS_GA50_R1B